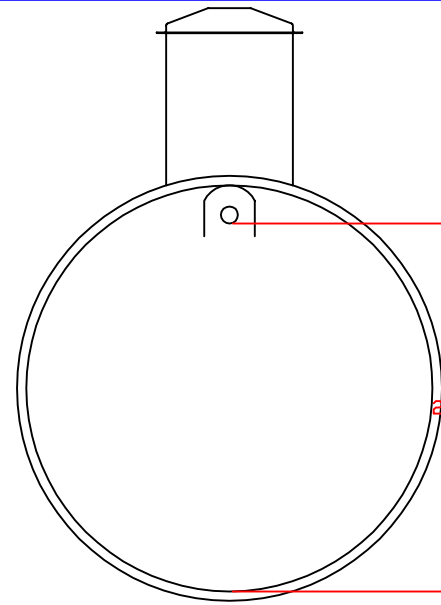
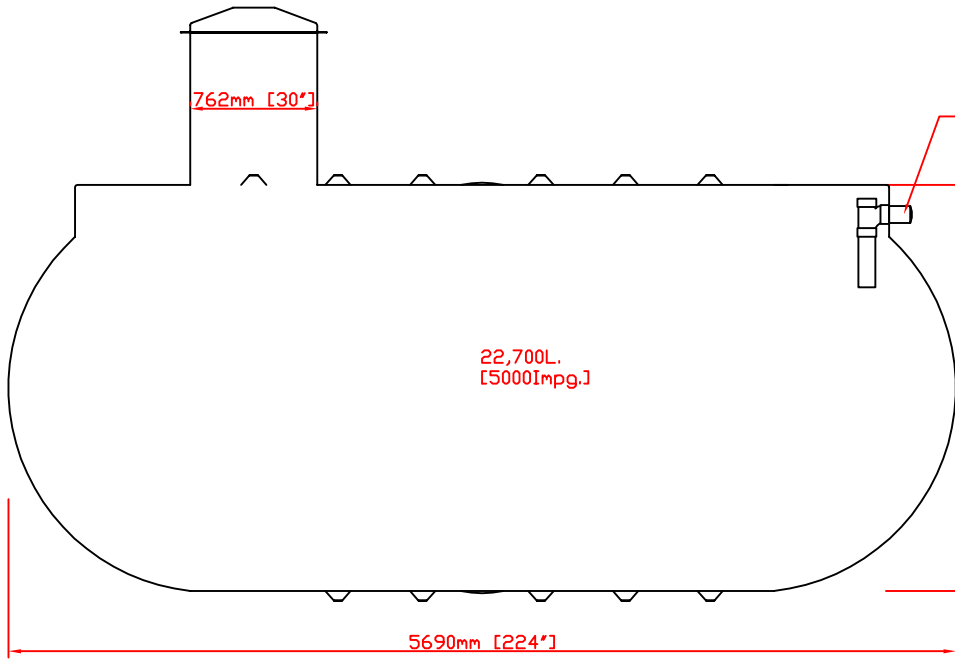


2553mm [101']



2210mm [87']



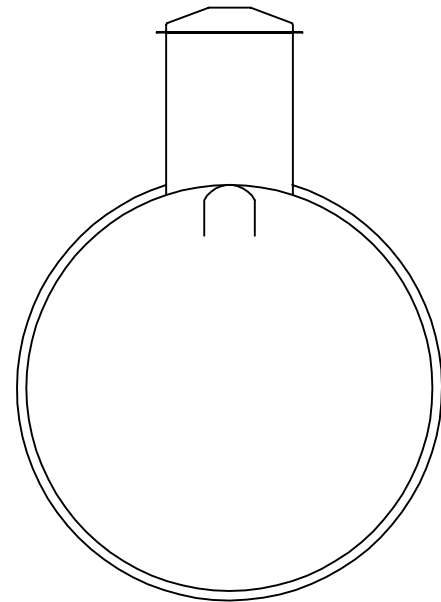
762mm [30']

102mm [4"] ABS  
PIPE STUB INLET

22,700L.  
[5000Impg.]

2438mm [96']

5690mm [224']



REVISIONS

NO.	DATE	DESCRIPTION

**Concrete & Fiberglass Products Ltd.**  
 712 KIRSTEAD RD. VIKINGRIS BEACH, NB ROC 2G2  
 PH (504) 389-8651 FAX (504) 389-6688  
 EMAIL: INFO@DLPRODUCTS.CA WEBSITE: WWW.DLPRODUCTS.CA

5000 8H 22,700L./5000Impg	DATE: _____	DRAWN BY: _____
	SCALE: _____	PAGE: _____
		-- DF --